

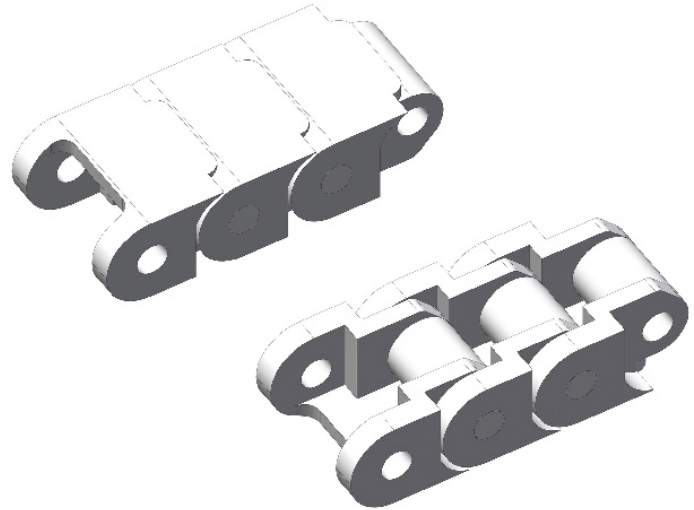
Har1900B Series

FLEXIBLE CHAINS

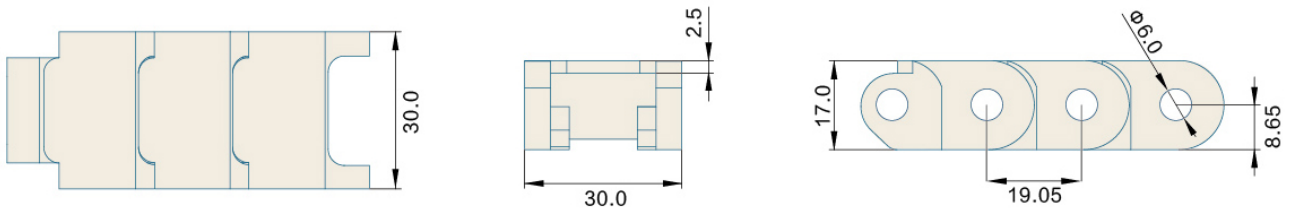
FLEXIBLE CHAINS 1900B Series

P=19.05mm, T=17mm

PIN:Stainless steel



节距 Pitch	链板材质 Material	颜色 Color
19.05mm	POM	白色/White



型号 Type No.	宽度 Width (mm)	节距 Pitch (mm)	重量 Weight (Kg/m)	转弯半径 Radius (mm)	负载 Working Capacity (N)
Har1900B	30.0	19.05	0.92	—	800

链轮 Sprocket	护栏 Guide	弯轨 Guide Rails	其余配件 Component
S36	R01-R42	—	C01-C57