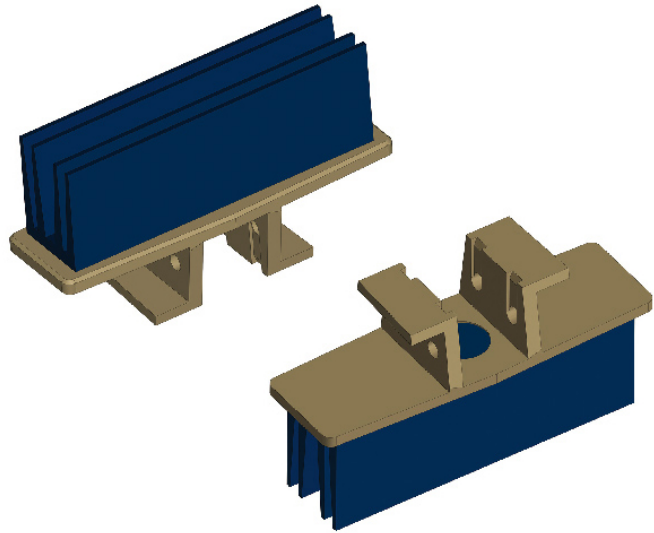


# Har1873GJ Series Straight Rubber Cover

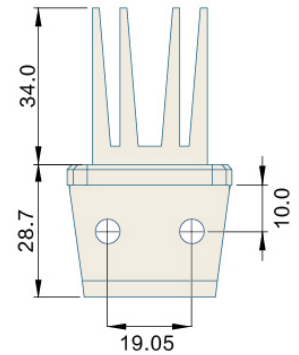
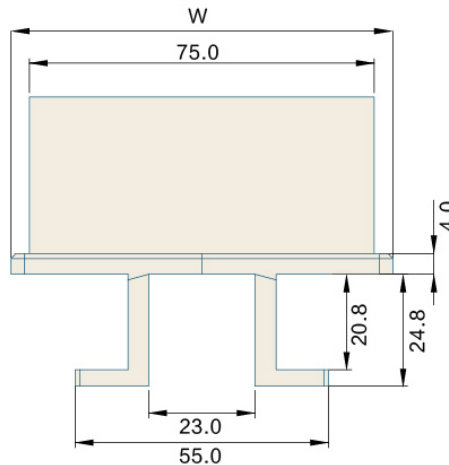
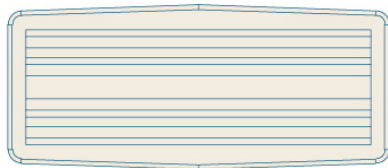
## TOP CHAINS

TOP CHAINS 1873GJ Series

P=38.1mm, T=28.7mm



节距 Pitch	链板材质 Material	颜色 Color
38.1 mm	POM	棕色底板黑色胶/ Brown Plate Black Rubber



型号 Type No.	宽度 Width (mm)	节距 Pitch (mm)	重量 Weight (Kg/m)	负载 Working Capacity (N)
Har1873GJ-K325	82.6	38.1	3.20	2560
Har1873GJ-K450	114.3	38.1	3.40	2560

链轮 Sprocket	护栏 Guide	弯轨 Guide Rails	其余配件 Component
S35	R01-R42	G08	C01-C57