

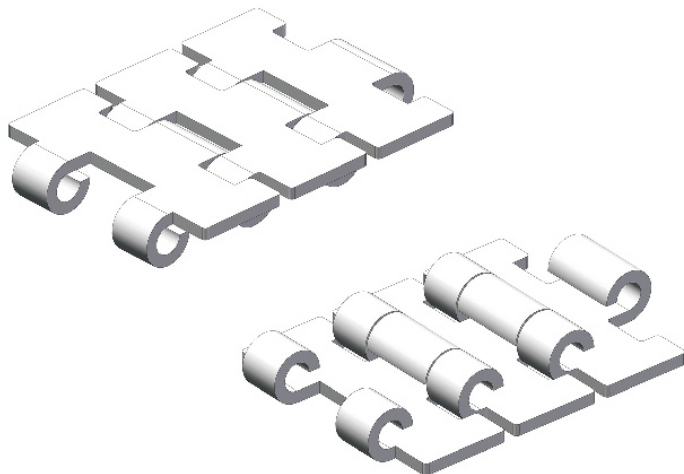
# Har515 Series

## TOP CHAINS

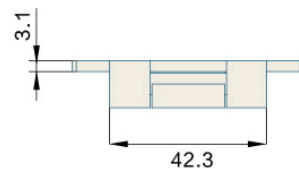
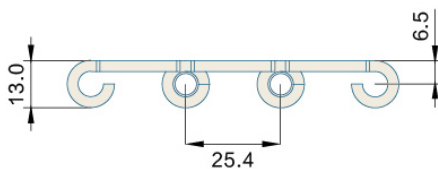
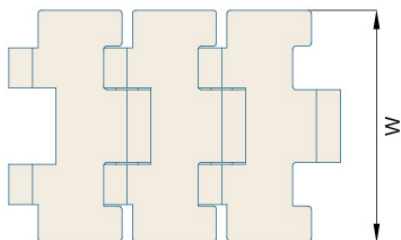
MULTIFLEX CHAINS 515 Series

P=25.4 mm, T=13mm

PIN:Stainless steel



节距 Pitch	链板材质 Material
25.4mm	SS304/2CR13



型号 Type No.	宽度 Width (mm)	节距 Pitch (mm)	重量 Weight (Kg/m)	转弯半径 Radius (mm)	负载 Working Capacity (N)
Har515k-197	50.0	25.4	2.10	—	4000
Har515k-217	55.0	25.4	2.30	—	4000
Har515k-236	60.0	25.4	2.45	—	4000
Har515k-283	72.0	25.4	2.80	—	4000

链轮 Sprocket	护栏 Guide	弯轨 Guide Rails	其余配件 Component
S06	R01-R42	—	C01-C57