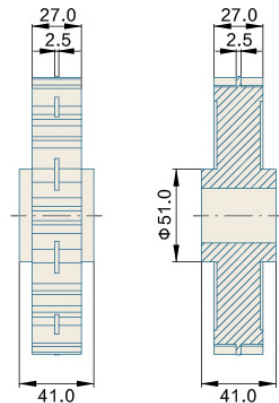
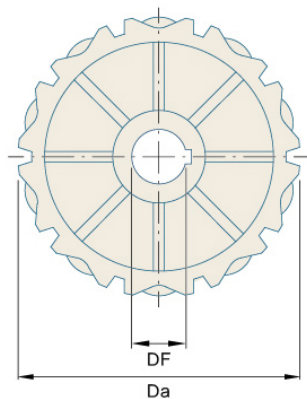
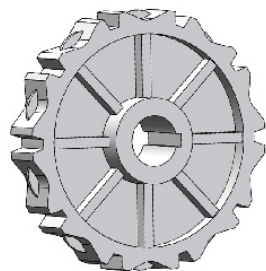


# Sprocket For Har800 Modular Belt

Har800型注塑链轮



型号 Item Code	齿数 Teeth No.	外径 Da (mm)	方孔 Square Bore (mm)	圆孔 Round Bore (mm)
注塑链轮 Injection Sprocket				
Har800-10T	10	164	40	40