

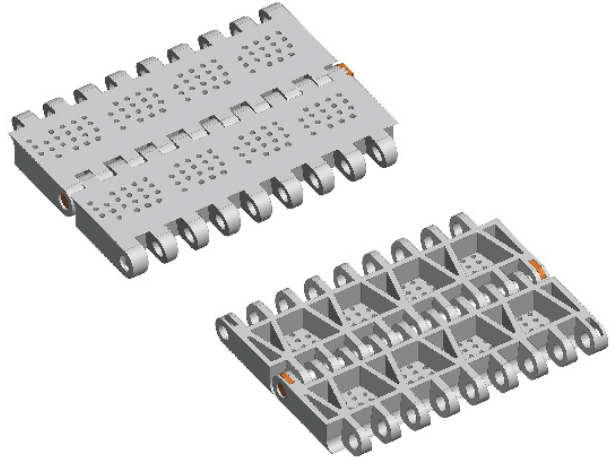
Har6100 Series Perforated Flat Top

MODULAR BELT

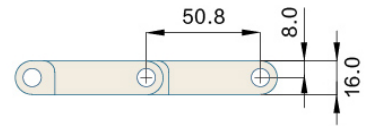
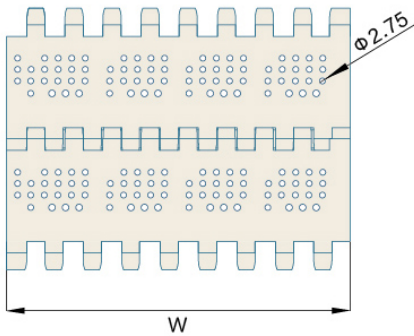
MODULAR BELT 6100 Series

P=50.8mm, T=16mm

OPEN AREA:18%



节距 Pitch	网链材质 Material	颜色 Color
50.8mm	PP	白色/White 蓝色/Blue



挡板高度 Cleat Height	32/50/75/ 100/150 mm	材质 Material	重量 Weight(KG/SQ)	工作负荷 Working Capacity(N/M)
裙边高度 Side Apron Height	50/76/102 mm	PP	7.2	11000
穿销材质 Pin Material	PP/NYLON/PBT DIAMETER:7.6mm	—	—	—

可选宽度 Available Width

塑料缩水率引致的正常误差：正负差距 ± 3 (mm) The normal error caused by the shrinkage of plastic: ± 3 (mm)

单片宽度 (Bulk Pieces Width)		组合宽度 (Assemble Width)
152mm	133mm	—
非标宽度 Nonstandard Width		非标定制前请和本公司联系 PLS Contact Hairise Confirm Width Before Booking

链轮 Sprocket	护栏 Guide	其余配件 Component
S53	R01-R42	C01-C57